

# eWdigimedia

Digital Advertising Solutions



# 3D HOLOGRAPHIC DISPLAY



Today's digital advertising systems have the potential to be far more than simple tools for communicating advertising messages. *The Art of Digital Advertising* is the phrase that embodies our forward-thinking strategy of deploying state of the art holographic and interactive systems as not only effective advertising solutions but unique artistry and engaging interior showpieces.

Distinguish your brand from the competition and make a statement that lingers with your target audience well beyond your ad campaign with a 3D holographic display system furnished by **eWdigimedia**.

## Features

- ▶ 3-Sided, 270° View angle
- ▶ Free floating 3D holographic images
- ▶ Combine physical objects with holographic content
- ▶ High-end, tempered optical glass
- ▶ Plug and play setup
- ▶ 24/7 rated reliability
- ▶ USB/VGA/HDMI inputs
- ▶ Full HD resolution
- ▶ Built-in speakers
- ▶ Automatic and manually controlled spotlight

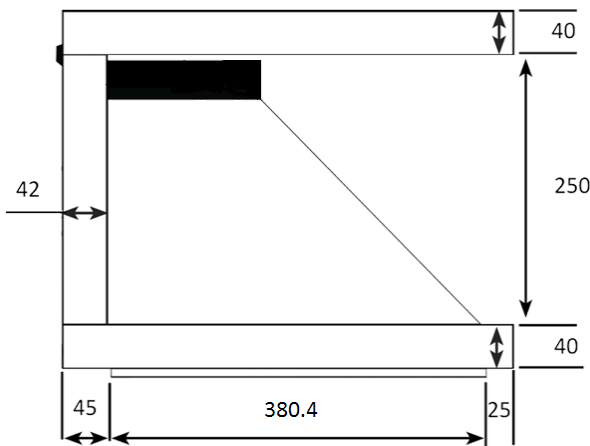
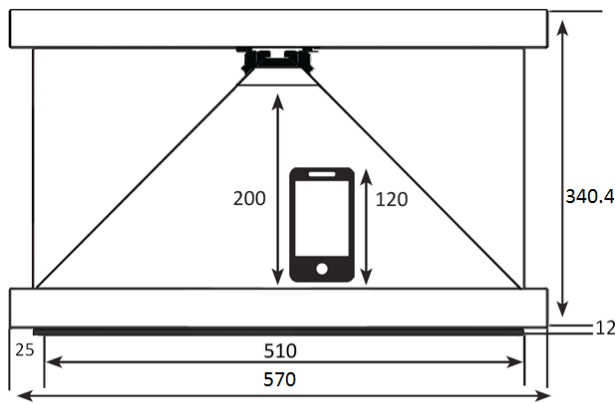
## Primary Applications

- ▶ Advertising
- ▶ POS
- ▶ Events
- ▶ Lobby/Reception showpiece
- ▶ Product launches
- ▶ Educational demonstrations
- ▶ Museums
- ▶ Activations
- ▶ Shopping malls

# FACT SHEET



The 3-Sided Holographic Display let's you combine physical products with holographic content. It is equipped with a key protected backdoor where you have access to media inputs and the appearance chamber.



<b>Model</b>	3-Sided Holographic Display
<b>Model No.</b>	EWD27022
<b>Material</b>	Powder Coated Sheet Metal
<b>Hologram Glass</b>	Tempered Optical Glass
<b>Showcase Size</b>	57 x 38.4 x 34.4
<b>Resolution</b>	1920x1080 Full HD
<b>Brightness</b>	350cd/m2
<b>Voltage</b>	AC110-240V (50Hz-60Hz)
<b>Video Format</b>	MP4,AVI,WMV,JPEG
<b>Internal Storage</b>	8 GB
<b>Input Ports</b>	USB,VGA,HDMI
<b>Operating Temp.</b>	0° to 50°C
<b>Audio</b>	Built-In Speaker
<b>LED Light</b>	Adjustable
<b>Version</b>	Single Version
<b>Net Weight</b>	27kg
<b>Gross Weight</b>	32kg
<b>Package</b>	Flight Case



 [www.ewdigimedia.com](http://www.ewdigimedia.com)  
 [contact@ewdigimedia.com](mailto:contact@ewdigimedia.com)  
 +1.714.465.1473